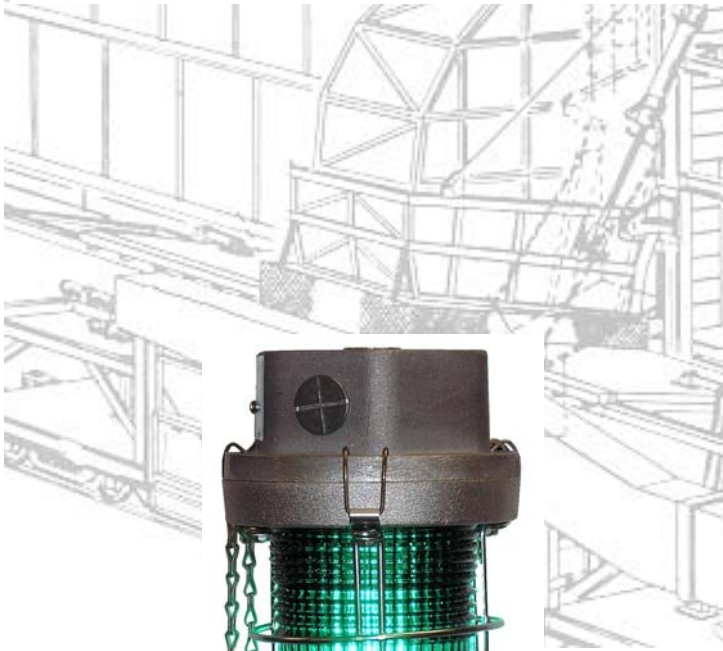


Lintern *Corporation Worldwide*



900X-1 GLOWLITE:

Meets OSHA safety color code for marking physical hazards
Top and lens ring assembly made of
Light weight, pressure-cast aluminum. Heavy-duty prismatic glass lens reinforced with ribbing inside and out for extra strength, provides maximum signal effect in all directions. Receptacle focuses lamp center with prism to increase signaling efficiency. The receptacle is suitable for use up to 250V AC or DC, LED bulb included. (LED Bulb 120VAC only). Wide wiring clearances make installation easy and prevents exposed leads from touching top of casting.

Accommodates 3/4" conduit for vertical, right angle, or straight-through wiring. Screw-in plugs in unused tapped openings. Captive neoprene "C" gasket seal top to lens ring assembly to make weather and dust resistant. Unique snap-clamp and safety chain arrangement make lamp changes safe and easy. Weight 4 lbs. (2 kg.) some assembly is required.

COLORS: Amber, Blue, Clear, Green, Magenta, & Red
(Lens sold separately)

LED BULB: (P/N: 140609)

- *9 Watts (Equivalent to a 60 Watt Standard Incandescent light bulb).
- *750 lumens brightness, 4,000 K light appearance.
- *Uses 85% less energy compared to a standard Incandescent light bulb.
- *360° Light directional.
- *Rated for indoor and outdoor use.

LENS GUARD: (P/N: 140030)

Wire guard can be used to protect lens from damage yet allows maximum signal visibility.
(Optional)

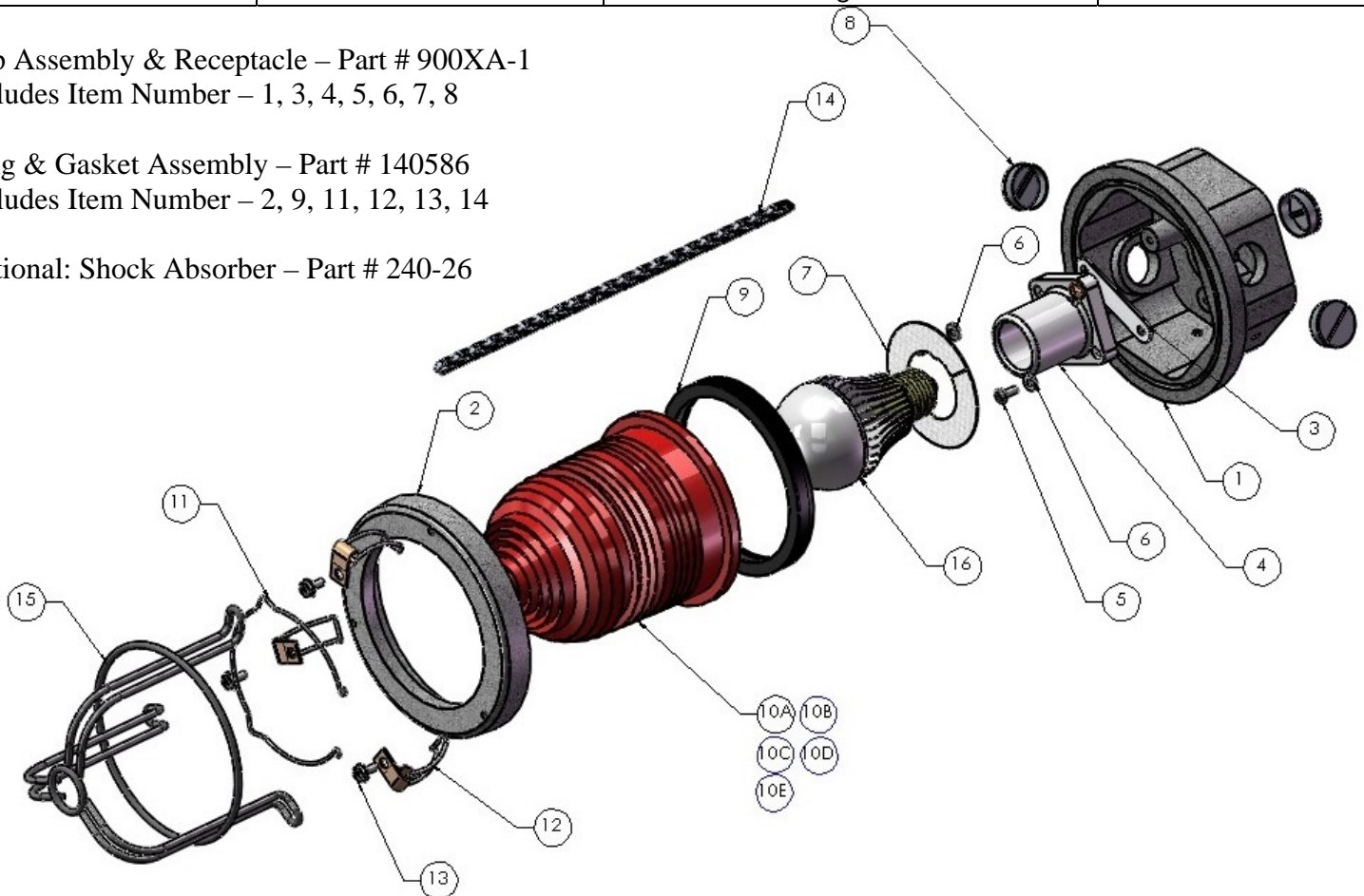


Item Number	Part Number	Description	Qty
1	140081	Casting, Top	1
2	140082	Casting, Ring	1
3	140388	Spacer, Receptacle	1
4	140060-1	Receptacle	1
5	100221	M4 x 10MM Pan Head Screw	2
6	140389	Washer, Nylon	2
7	140390	Shield, Receptacle	1
8	140391	Cap, 3/4" Threaded	3
9	140356	Gasket, Lens	1
10A	140137	Lens, Red	1
10B	140138	Lens, Amber	1
10C	140139	Lens, Green	1
10D	140140	Lens, Clear	1
10E	140141	Lens, Blue	1
11	140016	Snap Ring	1
12	140583	Spring Clip	3
13	100222	Screw, 10-24 x 3/8"	3
14	140025	Chain, #8 12" Long	1
15	140030	Guard, (optional)	1
16	140609	LED Light Bulb	1

Top Assembly & Receptacle – Part # 900XA-1
Includes Item Number – 1, 3, 4, 5, 6, 7, 8

Ring & Gasket Assembly – Part # 140586
Includes Item Number – 2, 9, 11, 12, 13, 14

Optional: Shock Absorber – Part # 240-26



SIGNAL LIGHT WITH MOUNTING BRACKET:

A900-1 GLOWLIGHT:

Single signal light with mounting bracket. weather resistant, dust-resistant models with all the features of the 900X-1. Heavy steel bracket supports signal light.



MULTIPLE SIGNAL LIGHT WITH BRACKET:

Multiple A900-1 can be assembled in series with heavy steel mounting brackets supporting each signal assembly.

COLORS: Amber, Blue, Clear, Green, Magenta, & Red
(Lens Sold Separately)

MULTIPLE SIGNAL LIGHT SPECIFICATIONS:

Model	No. of Lights	Height	Width	Depth	Weight
A900-1	1	7.375" (187mm)	5.438" (138mm)	8.25" (210mm)	4.1 lbs. (1.8kg)
2A900-1	2	7.375" (187mm)	12" (305mm)	8.25" (210mm)	9.6 lbs. (4.4kg)
3A900-1	3	7.375" (187mm)	18.5" (471mm)	8.25" (210mm)	14.6 lbs. (6.6kg)
4A900-1	4	7.375" (187mm)	25.125" (638mm)	8.25" (210mm)	19.6 lbs. (8.9kg)
5A900-1	5	7.375" (187mm)	31.68" (210mm)	8.25" (210mm)	24.5 lbs. (11.1kg)

DUAL SIGNALS:

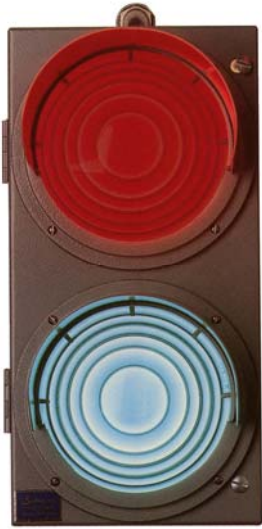
910EM-1 GLOWLIGHT:

Weather resistant, dust-resistant, dual signal light with heavy steel mounting bracket; 3/4 " conduit connections on each section simplify mounting and wiring. Unique snap-clamp and safety chain arrangement make lamp changes safe and easy. Lens ring and top assembly made of light weight, pressure-cast aluminum. Receptacles suitable for up to 250V, AC or DC, LED bulb included. (LED Bulb 120VAC only).



SINGLE LIGHT FLASHER: (P/N 140607)

Totally encapsulated & solid state single light fixed 60 flashes per minute (FPM). Small design (1.875" x 1.00") with mounting tab. Two 6" long wire leads for termination. 120VAC, 50/60 supply voltage. Ideal for mounting inside 900X Glowlites or 440-11 Traffic Lanterns.



440-21 Lantern

DUAL LIGHT ADJUSTABLE ALTERNATING FLASHER: (P/N 140606)

Alternating flasher with adjustable speed control knob. 2" x 3" adjustable speed board from 3 times\second to Once every 3 seconds, (20-180FPM). Also can be used on a dual light when only one light is needed to flash. 120VAC, 50/60 supply voltage. Ideal for 440-21 Traffic Lanterns.

900X-1 Glowlite

DUAL LIGHT INDUSTRIAL FIXED ALTERNATING FLASHER: (P/N 140608)

Industrial duty encapsulated alternating flasher with a set flash rate of 56 FPM. 2.375" x 1.75" with aluminum heat sink baseplate. Also can be used on a dual light when only one light is needed to flash. 120VAC, 50/60 supply voltage. Ideal for 440-21 Traffic Lanterns in extreme environments.

3 LIGHT TRAFFIC SIGNAL FLASHER: (P/N140605)

Standard Red/Amber/Green traffic sequence flash. 2" x 3" board with adjustable speed sequence control knob for total cycle time from 6 seconds to 130 seconds. 120VAC, 50/60 supply voltage.

Included Options: DIP switch modes for Flash Red only, Flash Yellow only and alternating Red/Yellow flash. Ideal for 440-31 Traffic Lanterns.



440-31 Lantern

PLANT TRAFFIC SIGNALS:

Lintern lanterns offer many advantages for traffic at dangerous corners, weigh scales, underpasses and abutments. Equipped with metal reflectors, hoods and high-quality lenses which provide a brilliant signal under all conditions. 6 3/8" (162mm) diameter semaphore glass lenses meet OSHA Safety Color Code for marking physical hazards. Strongly built of welded 16 gauge steel. Equipped with hinged doors and 1/4 turn captivated fasteners for easy lamp changes. Weather resistant and dust resistant. Traffic signals provided with receptacle to handle up to 110VAC. Supplied with halogen flood light. Lanterns can be combined to face different directions.

COLORS: Red, Blue, Amber, Railroad Green.



Model	No. of Lights	Height	Width	Depth	Weight
440-11	1	8"(203mm)	8"(203mm)	12.188"(310mm)	8.5 lbs. (4.3kg)
440-21	2	16"(406mm)	8"(203mm)	12.188"(310mm)	14 lbs. (7kg)
440-31	3	24"(610mm)	8"(203mm)	12.188"(310mm)	22 lbs. (11kg)

8685 Station Street – P.O. Box 90 – Mentor, Ohio 44061-0090 USA
 Phone: 800-321-3638 (North America) or Call 440-255-9333 Fax: 440-255-6427 Email:

Solutions@lintern.com

www.lintern.com